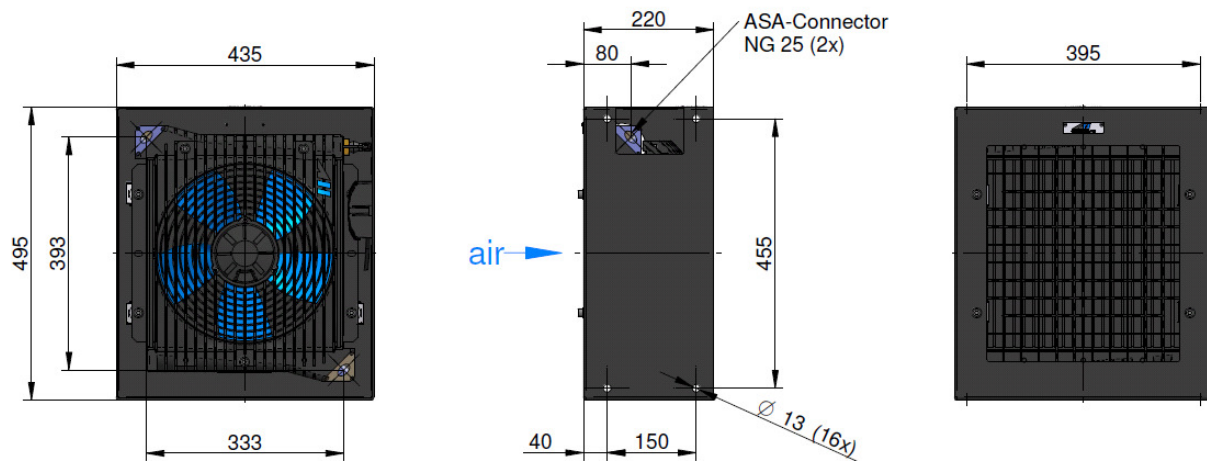


Oil / Air Cooler ASA 0115 GT

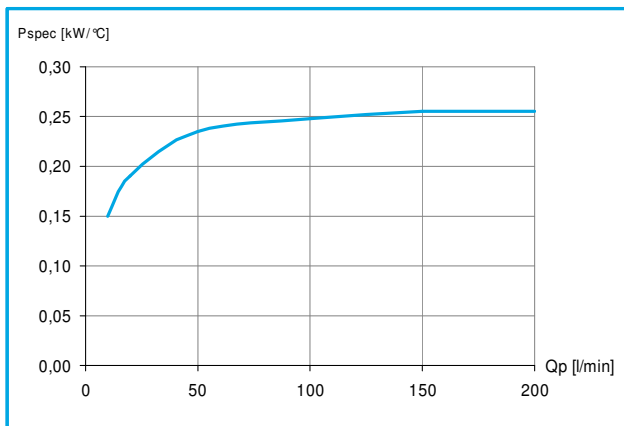
12 / 24V DC with protection housing and temperature control



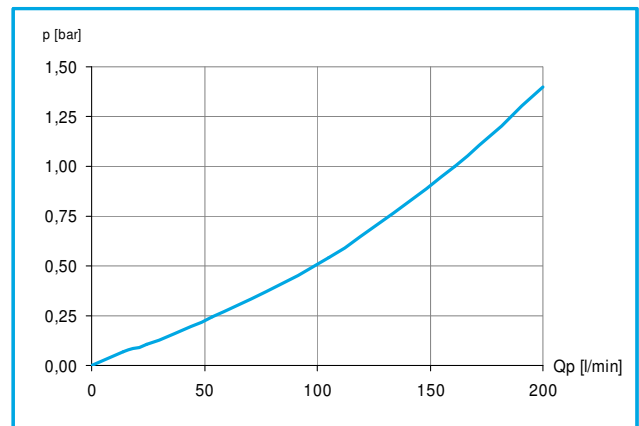
Technical Data

description	order number	motor power	protection level	current	air flow	noise level	weight
		[kW]		[A]	[kg/s]	[dB(A)]	[kg]
ASA 0115 12V DC GT	ASA0115AD01GT	0,27	IP 67	20,8	0,62	79	23
ASA 0115 24V DC GT	ASA0115AD02GT	0,27	IP 67	10,4	0,62	79	23

specific cooling performance



pressure drop at 30cst



radiator

material:	aluminium
air fin shape:	wavy
working pressure (static):	26 bar

connection

asa universal connector BSP 1"	ILLZASA25G25 (requires 2 per cooler)
--------------------------------	--------------------------------------

options

internal bypass cooler	ASA0115AD01BPGT, ASA0115AD02BPGT
------------------------	----------------------------------